

IC693ALG221
New In Stock!
GE Fanuc

<http://www.pdfsupply.com/automation/ge-fanuc/series-90-30/IC693ALG221>

Series 90-30
1-919-535-3180

In Stock! Analog Input 4PT IC693A IC693AL IC693ALG

www.pdfsupply.com

Email: sales@pdfsupply.com

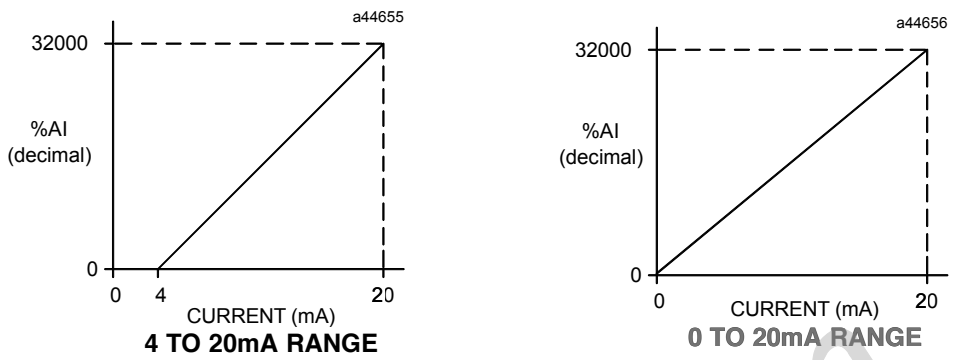


Figure 10-6. Scaling for Analog Current Input

Input protection for the module is sufficient to guarantee operation with reduced performance with up to 200V common-mode. The module provides electrical isolation of externally generated noise between field wiring and the backplane through the use of optical isolation.

To minimize the capacitive loading and noise, all field connections to the module should be wired using a good grade of twisted, shielded instrumentation cable. The shields can be connected to either COM or GND. The COM connection provides access to the common of the analog circuitry in the module. The GND connection provides access to the baseplate (frame ground).

An LED at the top of the faceplate is ON when the module's power supply is operating. The main power source for the module is the isolated +24 VDC power supplied by the PLC power supply. This voltage is routed through an inverter/regulator to provide the operating voltage for the module. This module also consumes power from the +5 VDC output of the PLC power supply to drive the isolation circuitry. This module can be installed in any I/O slot of a 5 or 10-slot baseplate in a Series 90-30 PLC system. See page 3-11 to determine the number of Analog Current Input modules that can be installed in a system.

Table 10-2. Specifications for Analog Current Input Module - IC693ALG221

Input Current Ranges	4 to 20 mA and 0 to 20 mA
Calibration	Factory calibrated to 4 μ A per count
Update Rate	2 msec (all four channels)
Resolution at 4-20 mA	4 μ A (1 LSB = 4 μ A)
Resolution at 0-20 mA	5 μ A (1 LSB = 5 μ A)
Absolute Accuracy †	0.1% full scale + 0.1% reading
Common Mode Voltage	200 volts
Linearity	< 1 Least Significant Bit
Isolation	1500 volts between field side and logic side
Common Mode Rejection	> 70 db at DC; >70 db at 60 Hz
Cross-Channel Rejection	> 80 db from DC to 1 kHz
Input Impedance	250 ohms
Input Filter Response	325 Hz
Internal Power Consumption	100 mA from the isolated +24 volt supply 25 mA from +5 volt bus on the backplane

Refer to Appendix B for product standards and general specifications.

† In the presence of severe RF interference (IEC 801-3, 10V/m), accuracy may be degraded to $\pm 0.5\%$ FS.

IC693ALG221 Analog Current Input Block Diagram

The following figure is a block diagram of the 4-Channel Analog Current Input Module.

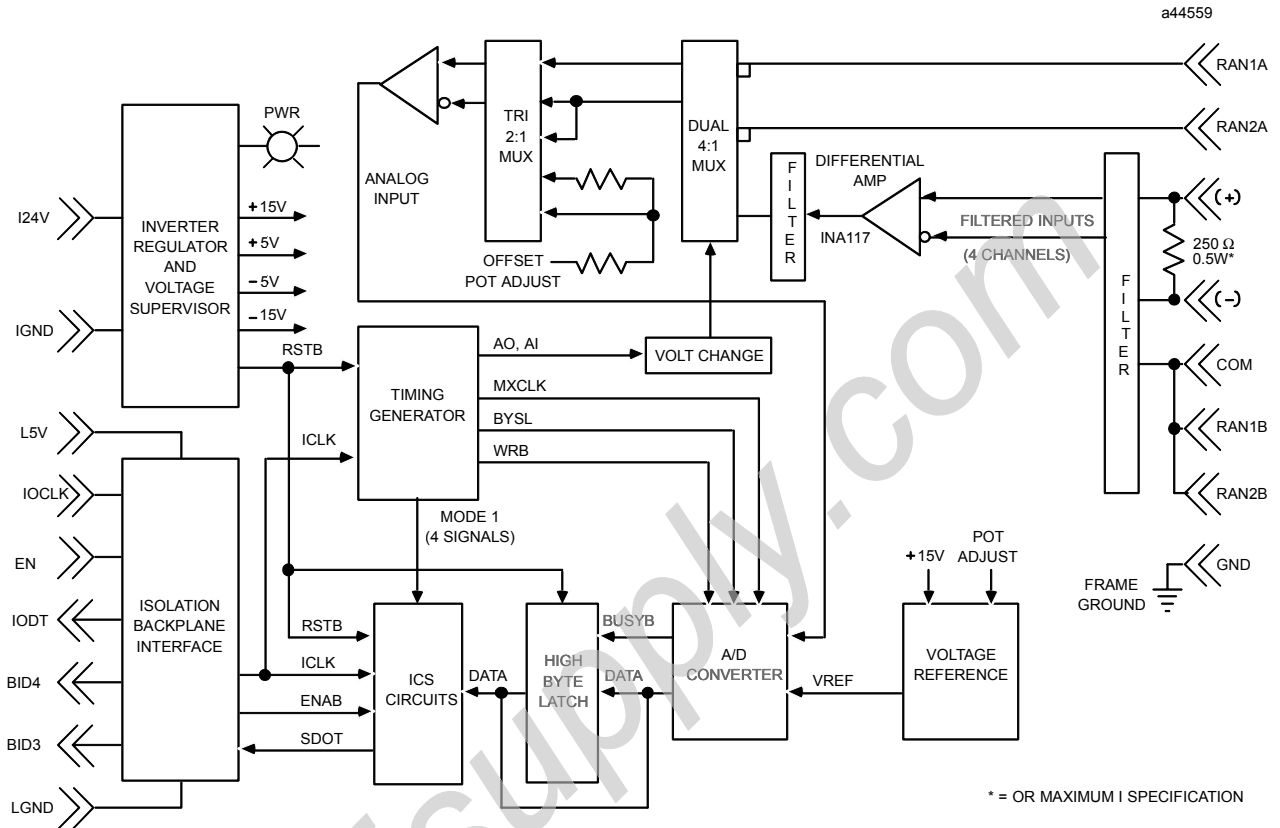


Figure 10-7. Analog Current Input Module Block Diagram - IC693ALG221

IC693ALG221 Analog Input Module Field Wiring Information

The following figure provides information for connecting field wiring to the user terminal board on the 4-Channel Analog Current Input Module.

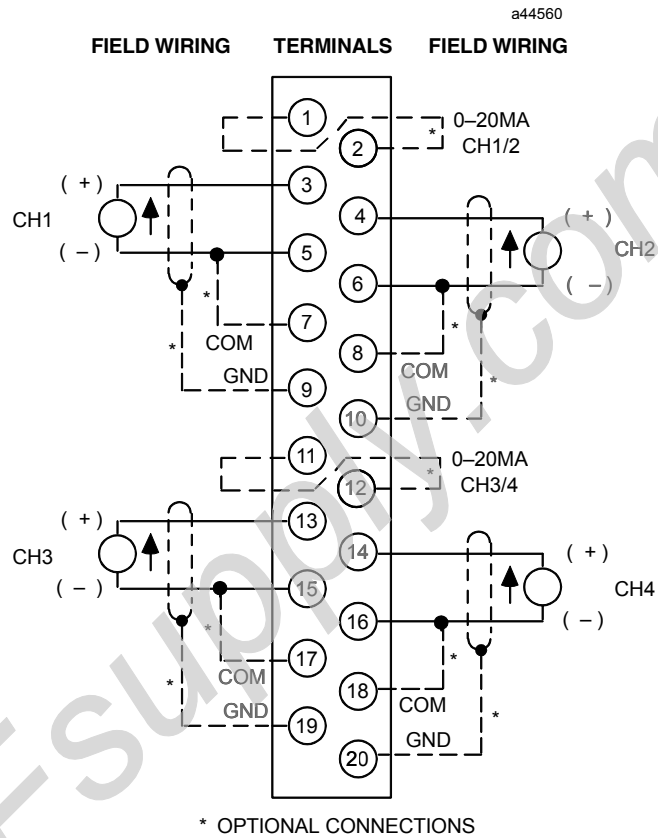


Figure 10-8. Field Wiring for 4 Channel Analog Current Input Module

Note

In order to limit common-mode voltages, each current source common line may also be tied to its associated COM terminal if the source is floating. These optional connections are shown in the figure above.

Please refer to Chapter 2 for wiring and shield ground connection details.