

IC693MDL241
New In Stock!
GE Fanuc

<http://www.pdfsupply.com/automation/ge-fanuc/series-90-30/IC693MDL241>

Series 90-30
1-919-535-3180

In Stock! 24 Volts ac/Vdc Input IC693M IC693MD IC693MDL

www.pdfsupply.com

Email: sales@pdfsupply.com

IC693MDL241 Input Module Field Wiring Information

The following figure provides wiring information for connecting user supplied input devices and power source to the 24 volt AC/DC positive/negative logic input module.

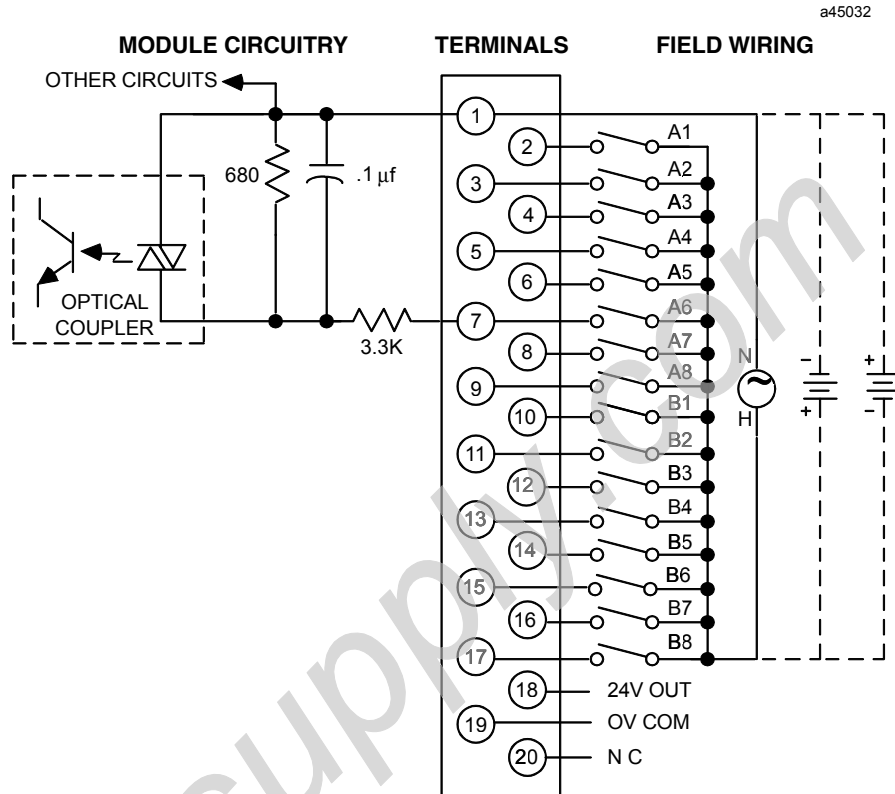


Figure 6-5. Field Wiring - 24 Volt AC/DC Pos/Neg Logic Input Module - IC693MDL241

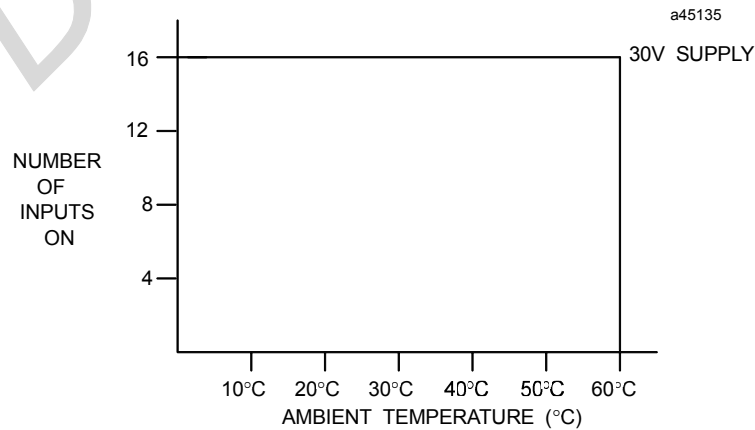


Figure 6-6. Input Points vs. Temperature for IC693MDL241