

IC693MDL310
New In Stock!
GE Fanuc

<http://www.pdfsupply.com/automation/ge-fanuc/series-90-30/IC693MDL310>

Series 90-30
1-919-535-3180

In Stock! 120 Volts ac Output, 0.5 Amp IC693M IC693MD
IC693MDL

www.pdfsupply.com

Email: sales@pdfsupply.com

IC693MDL310 Output Module Field Wiring Information

The following figure provides wiring information for connecting user supplied input devices and power source to the 120 volt AC output module.

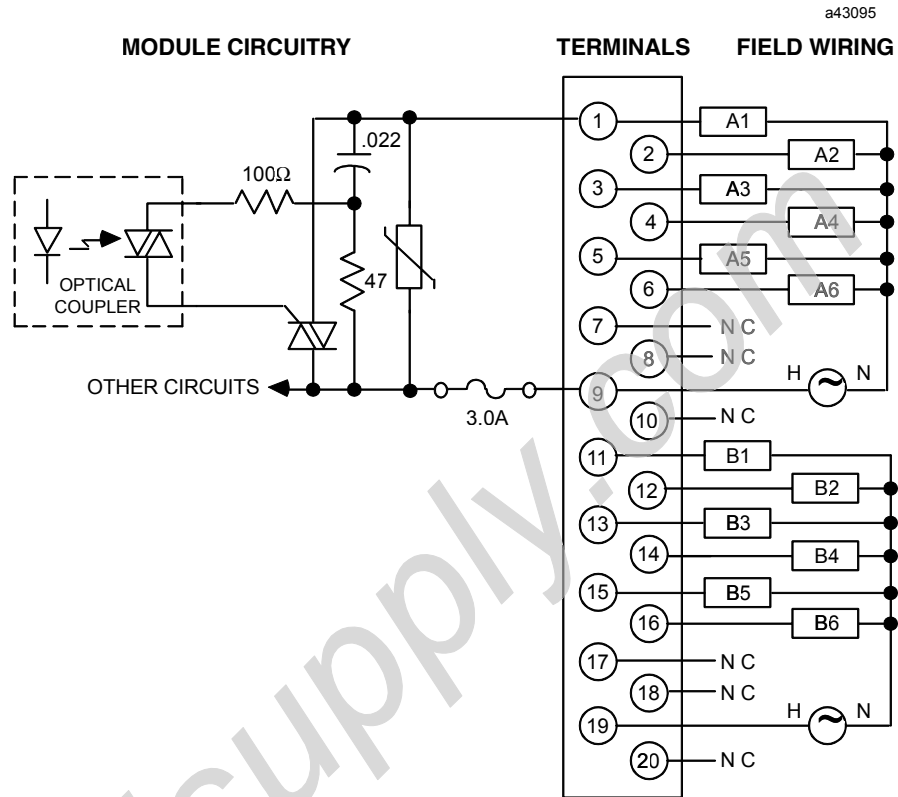


Figure 7-2. IC693MDL310 Output Module Field Wiring

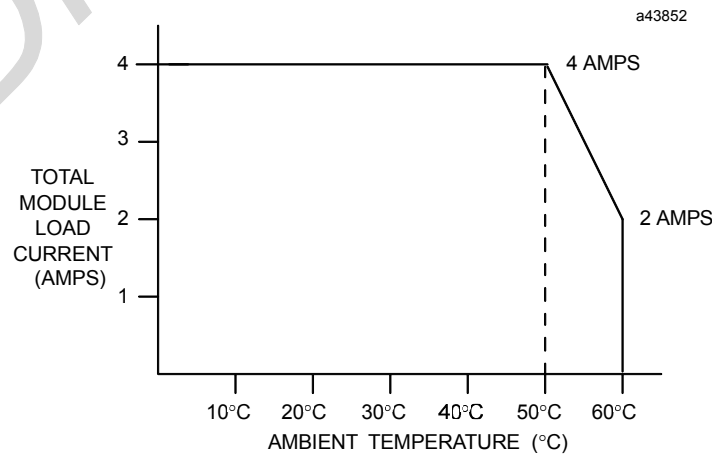


Figure 7-3. Input Points vs. Temperature for IC693MDL310