

IC693MDL653

New In Stock!

GE Fanuc

<http://www.pdfsupply.com/automation/ge-fanuc/series-90-30/IC693MDL653>

Series 90-30

1-919-535-3180

**In Stock! 24 Volts dc Input, Neg/Pos Logic IC693M IC693MD
IC693MDL**

www.pdfsupply.com

Email: sales@pdfsupply.com

IC693MDL653 Input Module Field Wiring Information

The following figure provides wiring information for connecting user supplied input devices and power source to the 24 volt DC positive/negative logic, FAST input module.

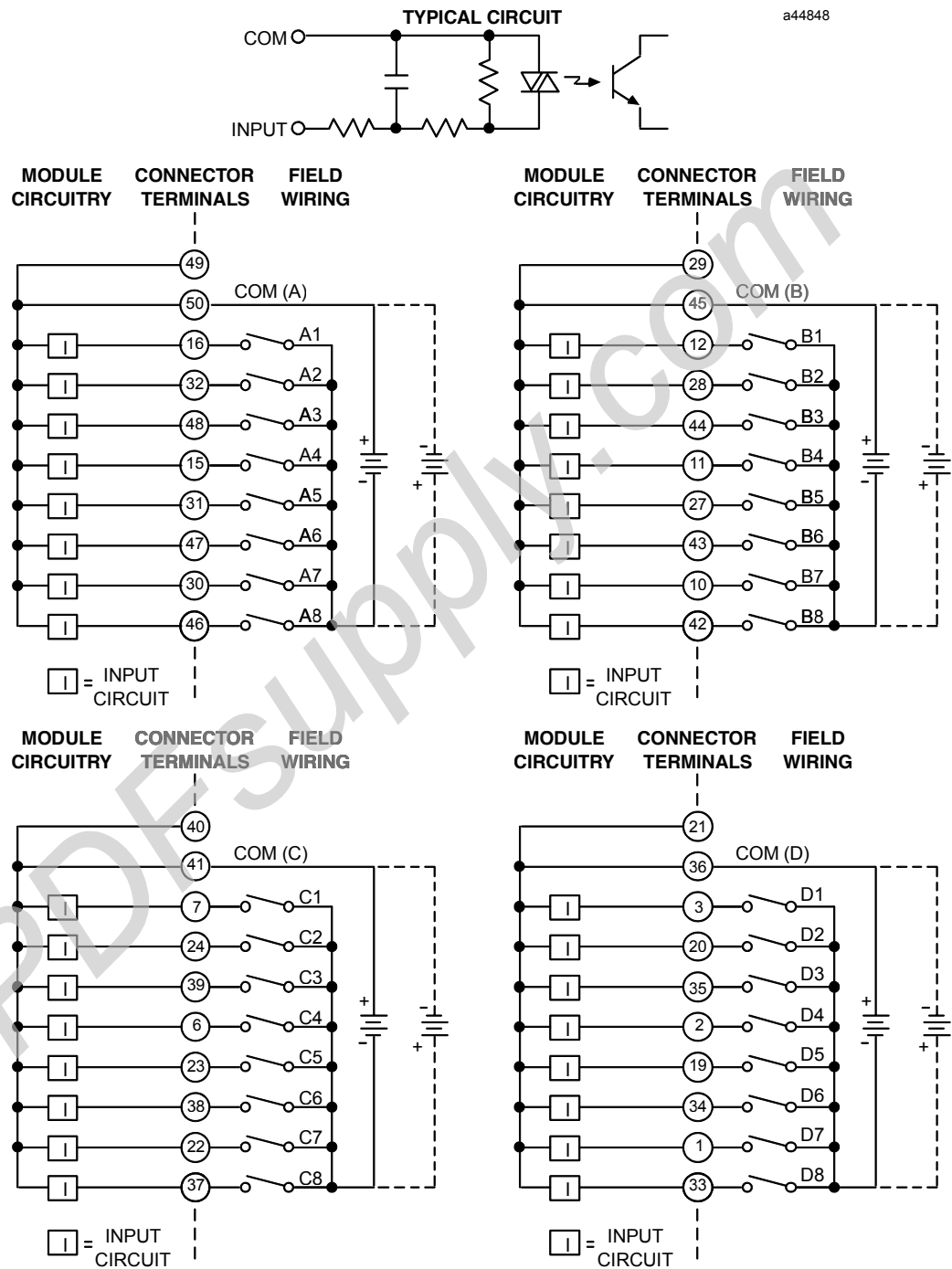


Figure 6-16. Field Wiring - 24 Volt Pos/Neg Logic 32 Point Input Module - IC693MDL653