

IC693MDL732

New In Stock!

GE Fanuc

<http://www.pdfsupply.com/automation/ge-fanuc/series-90-30/IC693MDL732>

Series 90-30

1-919-535-3180

In Stock! 12/24 Volts dc Output, 0.5 Amp, Positive Logic (8)

IC693M IC693MD IC693MDL

www.pdfsupply.com

Email: sales@pdfsupply.com

IC693MDL732 Output Module Field Wiring Information

The following figure provides wiring information for connecting user supplied load devices and power source to the 12/24 volt DC positive logic - 0.5 amp output module.

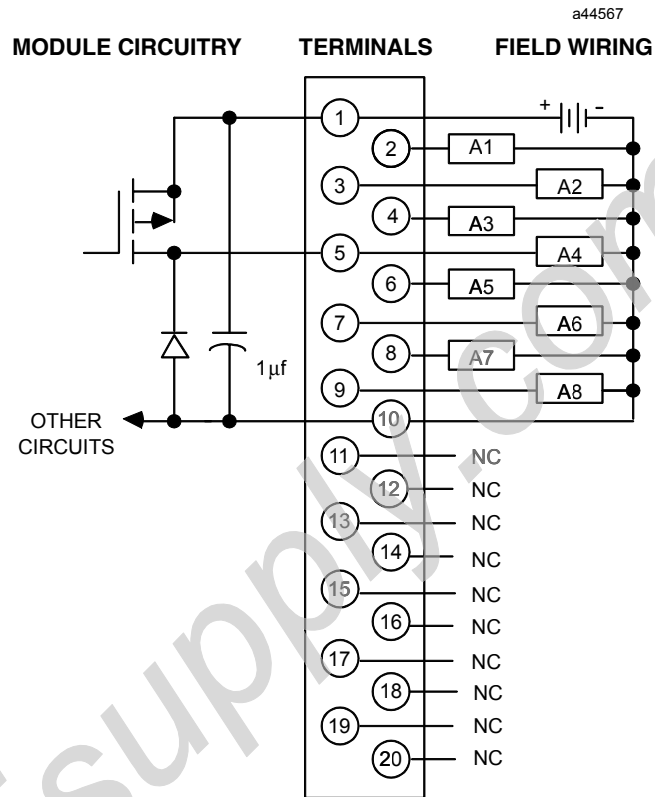


Figure 7-16. IC693MDL732 Output Module Field Wiring

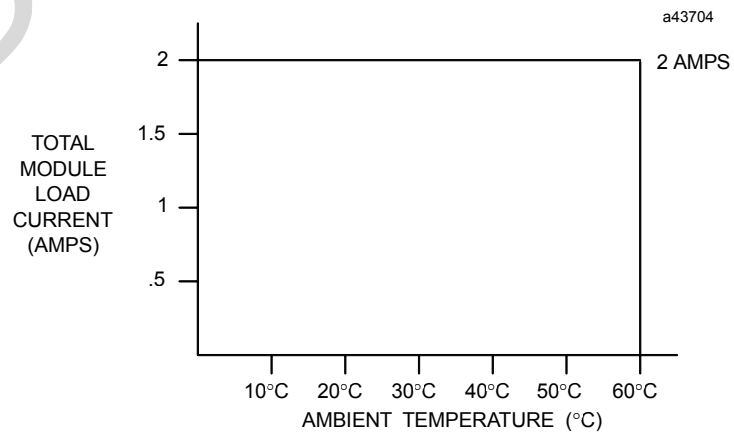


Figure 7-17. Load Current vs. Temperature for IC693MDL732