

IC693MDL734
New In Stock!
GE Fanuc

<http://www.pdfsupply.com/automation/ge-fanuc/series-90-30/IC693MDL734>

Series 90-30
1-919-535-3180

125 Volts dc Output, (6) IC693M IC693MD IC693MDL

www.pdfsupply.com

Email: sales@pdfsupply.com

IC693MDL734 Output Module Field Wiring Information

The following figure provides wiring information for connecting user supplied load devices and power source to the 125 volt DC positive/negative logic 1 amp output module.

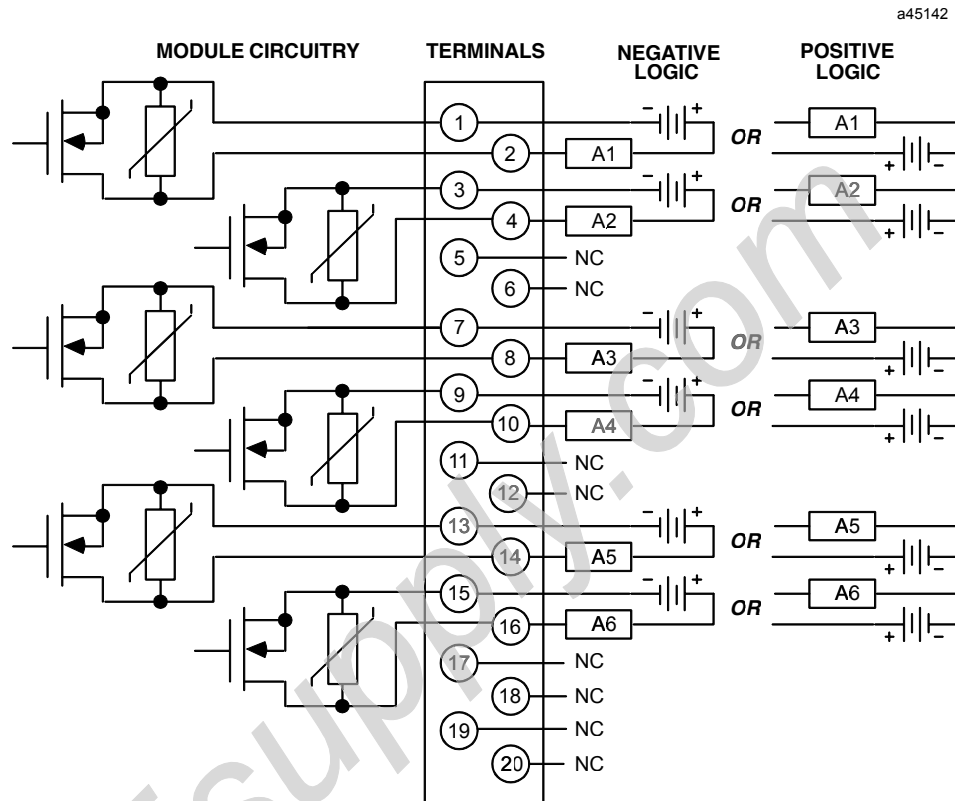


Figure 7-20. IC697MDL734 Output Module Field Wiring

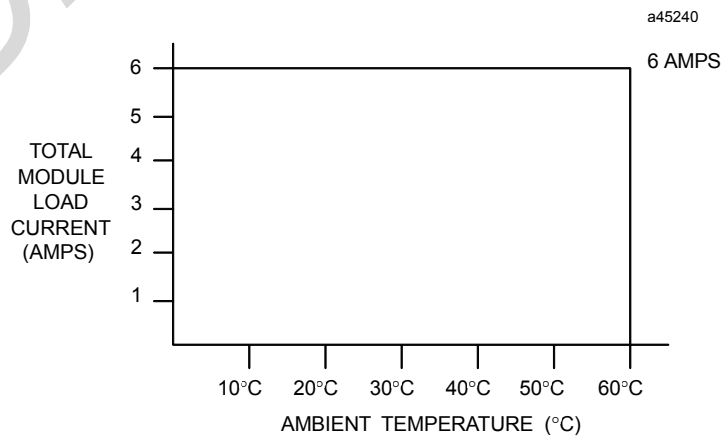


Figure 7-21. Load Current vs. Temperature for IC693MDL734