

**IC693MDL741**  
**New In Stock!**  
**GE Fanuc**

<http://www.pdfsupply.com/automation/ge-fanuc/series-90-30/IC693MDL741>

**Series 90-30**  
**1-919-535-3180**

In Stock! 12/24 Volts dc Output, 0.5 Amp, Negative Logic (16)  
IC693M IC693MD IC693MDL

[www.pdfsupply.com](http://www.pdfsupply.com)

Email: [sales@pdfsupply.com](mailto:sales@pdfsupply.com)

### IC693MDL741 Output Module Field Wiring Information

The following figure provides wiring information for connecting user supplied load devices and power source to the 12/24 volt DC negative logic 0.5 amp output module.

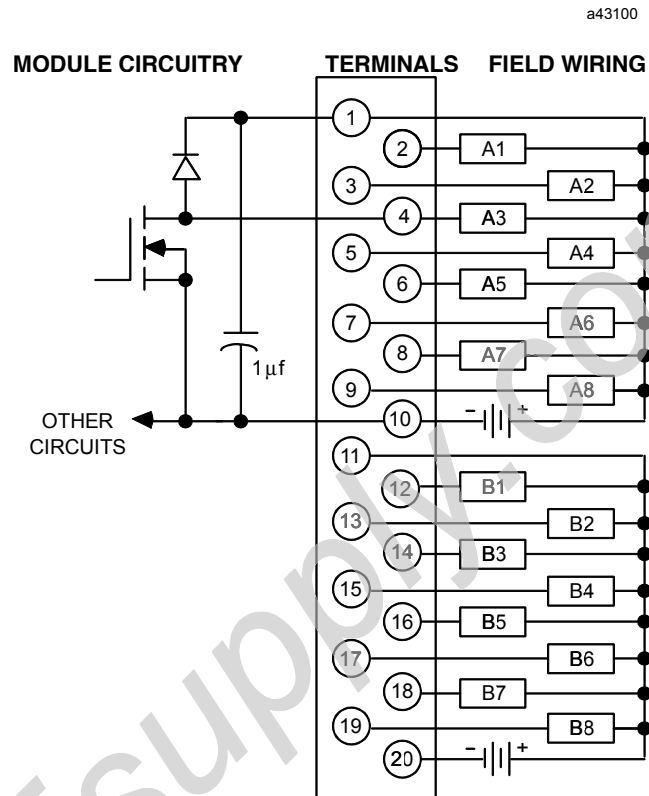


Figure 7-24. IC693MDL741 Output Module Field Wiring

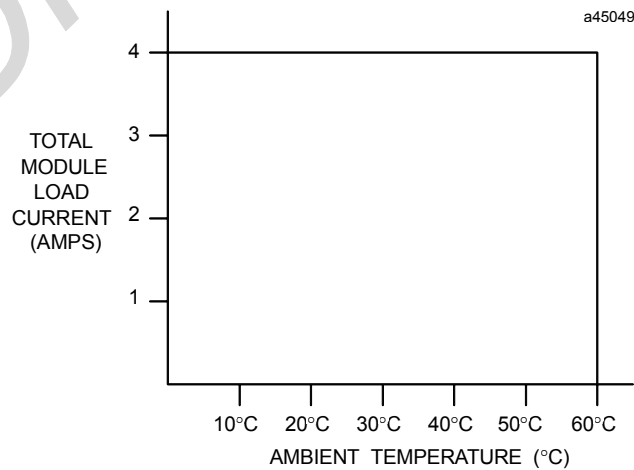


Figure 7-25. Load Current vs. Temperature for IC693MDL741